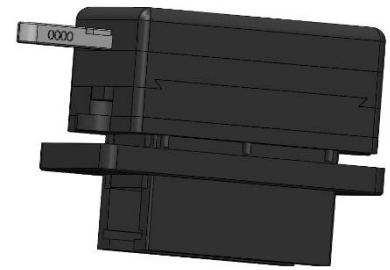


## Mounting Instruction

### OBD-Saver

intended for the following Vehicles:

## BMW – Version A



### **Description:**

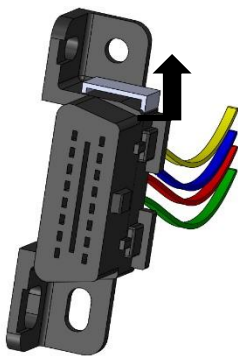
The OBD Saver disables effectively every access to ECUs via OBD – Interface (e.g. electronic immobilizer). The OBD – interface is locked with the OBD Saver. Thus connecting any device to the OBD interface is impossible and the connection to the car their fore denied.

When locked by the OBD Saver your car is protected very effectively. The control unit which controls the ignition of your car cannot be deactivated via OBD. From this time on your car will only start with the original ignition keys!

### **Scope of delivery:**

- 1x OBD-Saver enclosure including the lock
- 2x keys
- 1x allen wrench 2,5 / 3
- 1x mounting bracket / 2x fillister head screw M5
- 1x OBD-socket jack / pin disassembling tool kit
- 3x allen screw M3 + 1x spare screw
- 2x window sticker

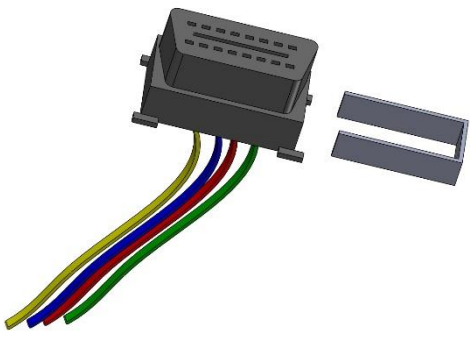
### **Mounting :**



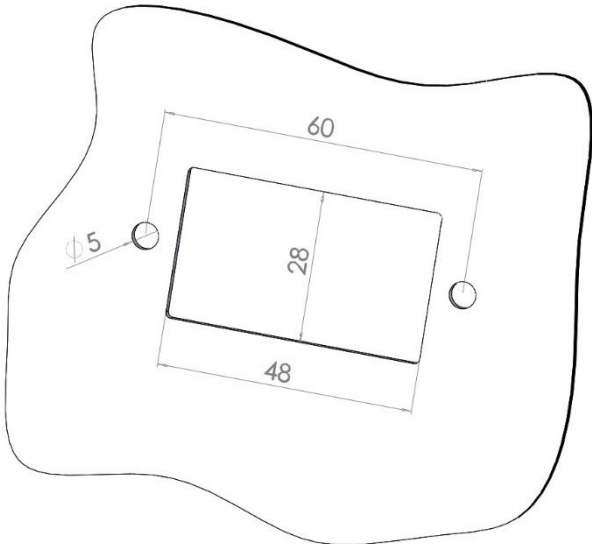
- remove original BMW – OBD socket jack and disassemble all PINs (to enable pin disassembly slightly release the pin bracket)
- Insert pin disassembling tool from the front and press each pin out

!!!crucial!!!

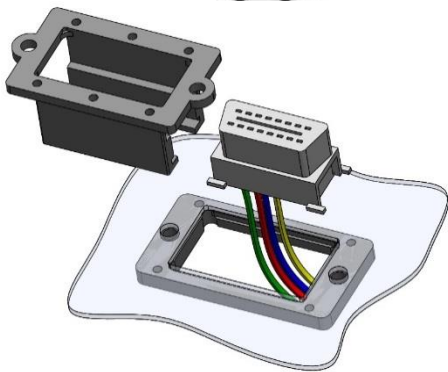
Remember the color of each cable and the position of every single pin!



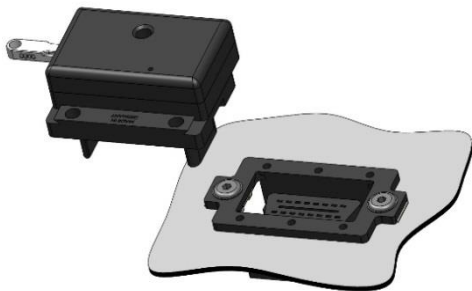
- reassemble the pins into the new OBD socket jack
- (Note: the pin bracket has to be removed for pin assembly)
- After assembling all pins just mount the pin bracket to the new OBD socket jack



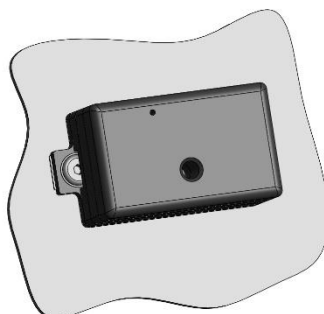
- Look somewhere near the original OBD jack for the hole (note: there has to be at least 28mm free space behind the hole!)
- Tip: use the upper part of the OBD-Saver housing as template
- !!!crucial!!! please check the sufficient length of the cables!



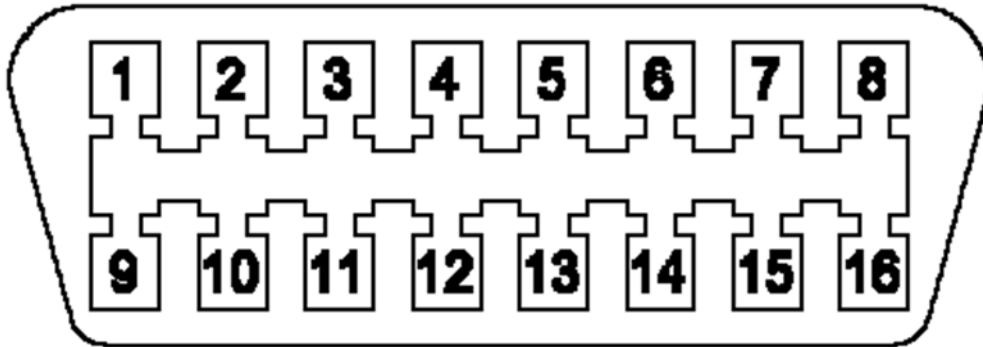
- Put the new OBD socket jack into the OBD-Saver housing Now mount both (housing and socket jack) onto the mounting bracket with the provided allen screws



- Plug in the lock and fix it with the provided M3 screws
- Close the OBD-Saver and remove the key



# OBD-Belegung



PIN	belegt	nicht belegt	Farbe
1	<input type="checkbox"/>	<input type="checkbox"/>	
2	<input type="checkbox"/>	<input type="checkbox"/>	
3	<input type="checkbox"/>	<input type="checkbox"/>	
4	<input type="checkbox"/>	<input type="checkbox"/>	
5	<input type="checkbox"/>	<input type="checkbox"/>	
6	<input type="checkbox"/>	<input type="checkbox"/>	
7	<input type="checkbox"/>	<input type="checkbox"/>	
8	<input type="checkbox"/>	<input type="checkbox"/>	
9	<input type="checkbox"/>	<input type="checkbox"/>	
10	<input type="checkbox"/>	<input type="checkbox"/>	
11	<input type="checkbox"/>	<input type="checkbox"/>	
12	<input type="checkbox"/>	<input type="checkbox"/>	
13	<input type="checkbox"/>	<input type="checkbox"/>	
14	<input type="checkbox"/>	<input type="checkbox"/>	
15	<input type="checkbox"/>	<input type="checkbox"/>	
16	<input type="checkbox"/>	<input type="checkbox"/>	